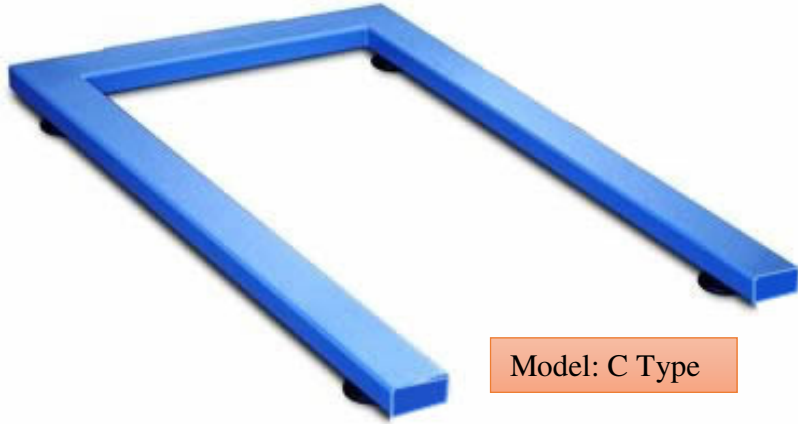


## Bar Scales



Model: C Type

**PRECI-TECH**  
WEIGHING SYSTEMS



**PRECI-TECH WEIGHING SYSTEMS**

Unit No. 3, Vora Industrial Estate No. 4, Navghar, Vasai  
Road (east), Dist: Palghar, Pin: 401210

Website: [www.preciweigh.com](http://www.preciweigh.com)

Email: [sales@precitech.in](mailto:sales@precitech.in)

Phone: [+91-9766321554](tel:+91-9766321554)



Model: BS4

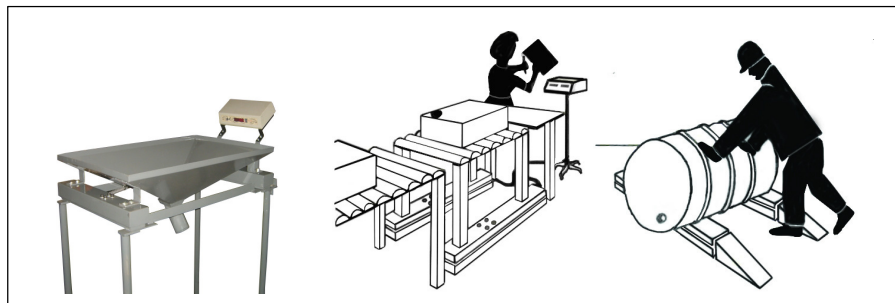


Model: BS2

## FEATURES

### Technical Details:

- Two High Capacity Load Cell (sensor) in BS2 Model
- Four High Capacity Load Cell (sensor) in BS4 Model
- Capacity from 300 kg to 2000 kg
- Bar Size: BS2 600 mm, BS4 1000 mm long Bars
- Portable Platform Scale having Multiple Utilities
- Few of the applications shown below.



- Huge 3,00,000 Internal counts makes it stable and accurate counting
- 4 keys easy operation.
- Latest design using high end Dual Microcontroller
- Option Battery Backup facility for uninterrupted up to 48 hours on full charge.
- High Grade Li-Ion rechargeable Battery Pack.
- Various other options available see our other catalogs
- Other Optional Accessories like Parallel Display, Separate Indicator on Stand, Wall mounting Indicator, Serial Interface (RS232C), Bottom Stand, Side Grill, Both side Back Rest, Pipe Holding Bracket, many different customized solution for the ease of weighing.
- Very easy to operate and maintenance free
- Easy to Assemble and Install.
- Calibration Traceability to National Standards