



## Tank (Hopper) Weighing



**PRECI-TECH**  
WEIGHING SYSTEMS



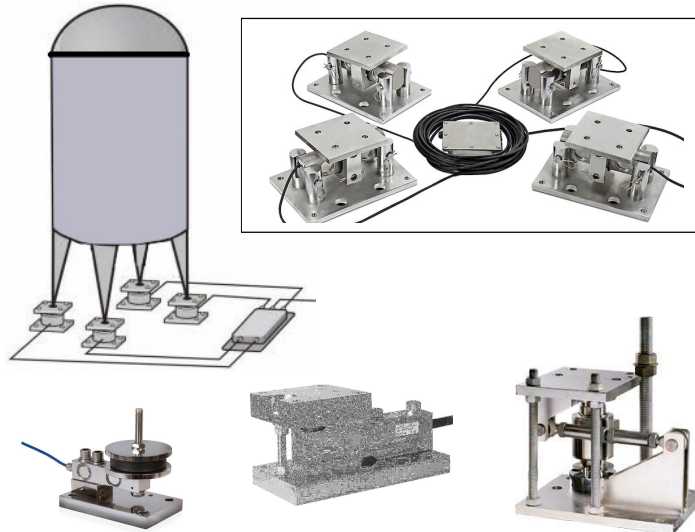
**PRECI-TECH WEIGHING SYSTEMS**

Unit No. 3, Vora Industrial Estate No. 4, Navghar, Vasai  
Road (east), Dist: Palghar, Pin: 401210

Website: [www.preciweigh.com](http://www.preciweigh.com)

Email: [sales@precitech.in](mailto:sales@precitech.in)

Phone: [+91-9766321554](tel:+91-9766321554)

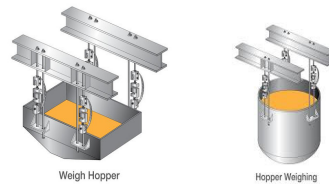
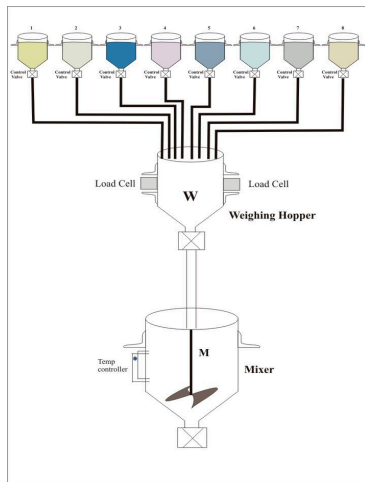


## FEATURES

### Technical Details:

- Tank, Hopper, Silo weight Monitoring
- Filling of Tank can be controlled as per the set weight
- Discharge can also be programmed as per the user's specifications
- Three or Four Legs as per the tank or Silo Specification
- Few of the applications shown below.

### Batching System



- **Different Choice of Indicators like Standard, Flameproof. Corrosion and weatherproof GRP IP66 grade enclosure, SS 316 IP66 enclosure and many other customized options available.**
- **Other Automation options also available like filling controller, Batching System or any other customized applications can be offered**
- Huge 3,00,000 Internal counts makes it stable and accurate counting
- 4 keys easy operation and dedicated safety features
- Latest design using high end Dual Microcontroller
- Option Battery Backup facility for uninterrupted up to 48 hours on full charge.
- High Grade Li-Ion rechargeable Battery Pack.
- Various other options available see our other catalogs
- Other Optional Accessories like Parallel Display, Separate Indicator on Stand, Wall mounting Indicator, Serial Interface (RS232C), Bottom Stand, Side Grill, Both side Back Rest, Pipe Holding Bracket, many different customized solution for the ease of weighing.
- Maintenance free & Easy to Install.
- Calibration Traceability to National Standards